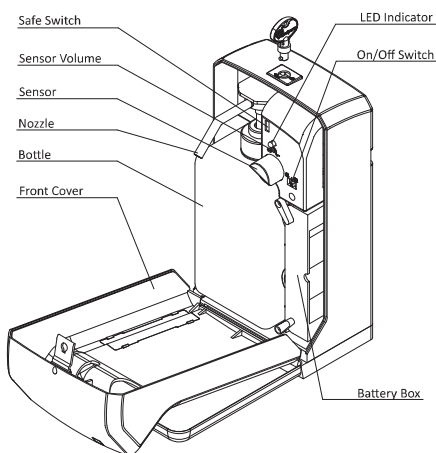
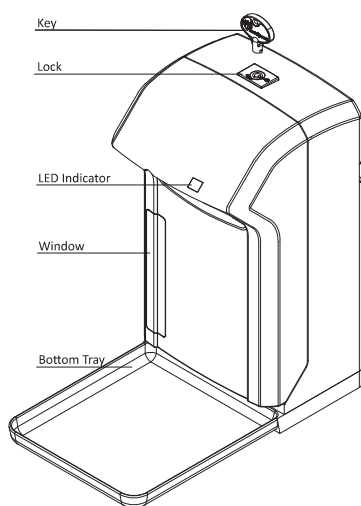


INSTRUCTION MANUAL

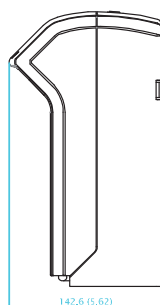
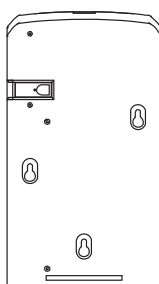
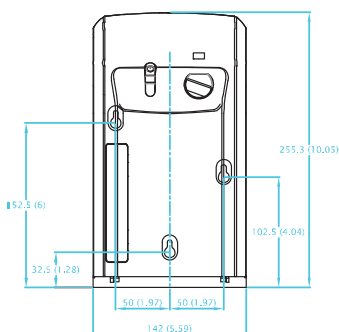
Thank you very much for purchasing the Automatic Touchless Hand Sanitizer Dispenser. Please read this instruction manual before operating the dispenser. Please keep this instruction manual handy for future reference.

INTRODUCTION OF MAIN UNIT

1. Principle Parts



2. Dimensions



Unit:mm(inches)

PLACES SUITED FOR INSTALLATION

For proper operation do not install the unit in the following places:

1. Where highly humid
2. Where exposed to direct sunlight and spotlight

HOW TO INSTALL

1. Free standing on countertop, desk or any flat surface. Install the bottom tray first and choose a level and rigid place for installation.
2. Wall mount:
 - 1) Drill three holes at a proper position on mounting surface.
 - 2) Insert anchors and screw dispenser securely.

HOW TO USE

A. Preparations

1. How to open (close) the front cover

Open:

- 1) Put the key in the lock on the top of the dispenser.
- 2) Turn the key to the open position.
- 3) Remove the lock with the key from the dispenser.
- 4) Hold the top of the front cover and pull forward

Close:

- 5) Close the front cover securely.
- 6) Insert the lock with the key to the lock hole on the dispenser.
- 7) Turn the key to lock position.
- 8) Remove the key.

2. Loading with batteries

When the battery is low the LED blinks red. Please load 4 new D-cell batteries.

3. On/Off switch

Turn the switch to ON when you want to start using the unit. When the unit will not be used for a long time turn the switch to OFF to save power.

4. Loading the cartridge bottle

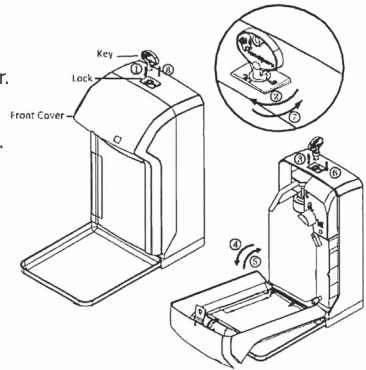
Ensure the nozzle direction comes out through the front cover.

5. Remove the spray nozzle for gel solution

When you want to use sanitizer gel or liquid soap, you can remove the spray nozzle from the pump, and then sanitizer gel or liquid soap can be used.

6. Sensor adjusting

Sensor detection can be adjusted with sensor volume. To make longer, turn the volume counter clockwise. To make shorter, turn the volume clockwise.



HOW TO USE

B. Application

To dispense product, place your hand under the nozzle. Infrared sensor will detect your hand and solution will be automatically dispensed. The unit will detect your hand to dispense 1 or 2 times. If you need more products to be dispensed, remove hand, wait 2 seconds, repeat step.




CLEANING AND MAINTENANCE

1. Use soft cloth or paper towel. If required, wet the rag slightly.
2. Do not use high-viscosity or granulated liquid to avoid pipeline from clogging.
3. Do not rinse the machine directly or soak it in the water.
4. Do not install the main unit in a place exposed to direct sun.

TROUBLESHOOTING

Condition	Solution
When LED indicator stays lit in red it indicates the power is below the working voltage	Replace batteries
When LED indicator remains off	Check the front cover is closed and if the battery is correctly loaded
The motor is active but the solution fails to dispense	Check if the dispenser pump and the container are tightly locked. Push the dispenser pump to purge the air.
The LED is flickering red	Remove hand from the sensor and repeat the operation again

SAFETY INSTRUCTIONS

 <p>PROHIBITED</p>	<ul style="list-style-type: none">• Do not expose to sun or flame as this may cause fire hazard or scorching injury• Do not add hazardous substance (strong acid, strong alkali or toxicant agents)• Do not put your face near the nozzle to avoid activating the sensor which may cause solution to get into the eyes• Prevent foreign matters such as sand, water and mud from entering the solution container to avoid clogging the nozzle
 <p>CAUTIONS FOR USING</p>	<ul style="list-style-type: none">• If the solution overflows, wipe with a duster cloth immediately• If the solution gets into the eyes, flush with clean water immediately• Do not drink the solution and keep the solution in a place beyond the reach of children• Before using the solution be sure to read the precautions carefully
 <p>NOTICE</p>	<ul style="list-style-type: none">• Because this machine is not waterproof, do not use it in a bathroom or high humidity places• Use four type D batteries. When inserting be sure to identify the (+) and (-) poles• This product is designed for indoor application. Do not use it in outdoor locations• When using the IR sensor, the machine may fail to sense under strong IR projection such as sunshine.• When putting aside for a longer time, be sure to remove the battery holder• If the machine is to be moved after installation, be sure to take out the solution container before moving.

PRODUCT SPECIFICATIONS

SPECIFICATIONS

Unit Size	5.75"(W) x 5.75"(D) x 10.25"(H)
Weight	1.65 lbs (750 g) excluding chemicals, accessories etc.
Material	Front cover/Body/Tray: ABS plastic Window: Clear Polycarbonate
Solution Capacity	1000 ml (35.2 oz)
Power Source	4 x D-cell batteries (not included) or AC Power Adapter (optional accessory)
Installation	Countertop or Wall Mount (hardware included)
Included Components	1 x Automatic Touchless Hand Sanitizer Dispenser 1 x Spray/Gel Pump 1 x Solution Bottle 1 x Bottom Tray 2 x Key 3 x Screw/Anchor
Optional Accessories	AC Power Adapter (Input AC100~240V, Output DC 6V)